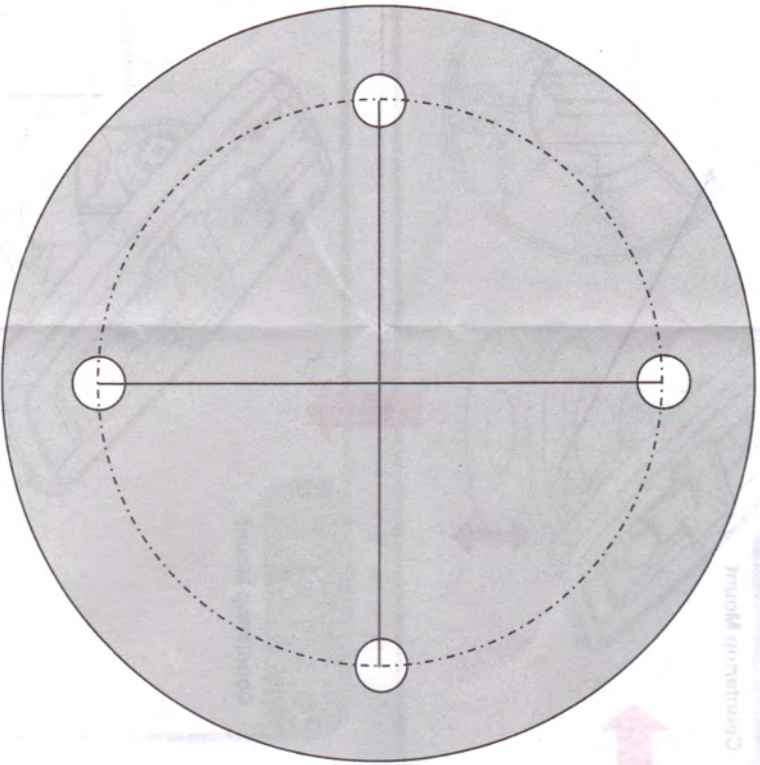
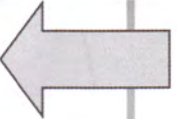


DRILL TEMPLATE



CABLES



CUSTOMER

**FLEXIPOLE
COMPACT**

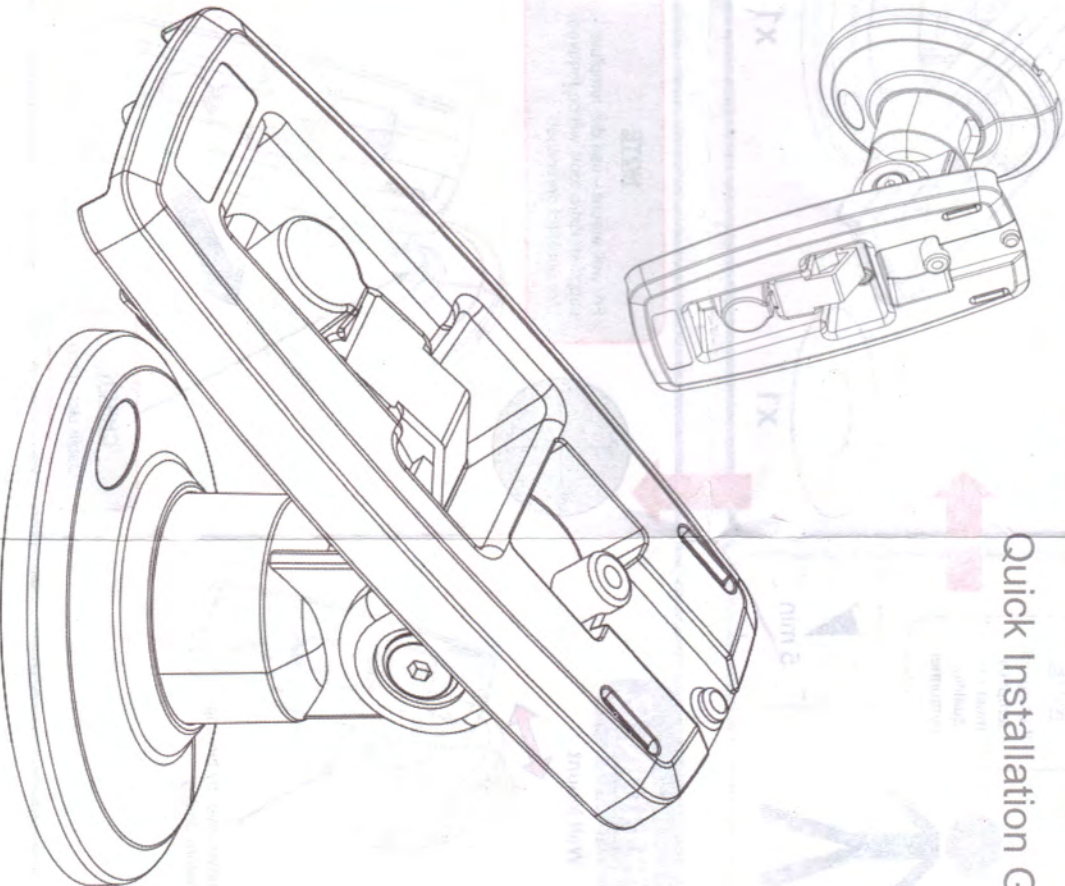
Quick Installation Guide

Revision A

© 2013 Tailwind - Solutions

FLEXIPOLE COMPACT

Quick Installation Guide



TOOLS

NOTE
If using drill template must use qualified personnel

PARTS

OPTION A
Countertop Mount

CUSTOMER SIDE

OPTION B
Wall Mount

Remove cover by twisting off before drilling.

NOTE
For wall mount – use drill template supplied. Extra tools will be required. Use qualified personnel.

CHECK
Cable slot at top

OPTION A
Countertop Mount

CHECK
Cable slot not facing customer side

CUSTOMER SIDE

Push down